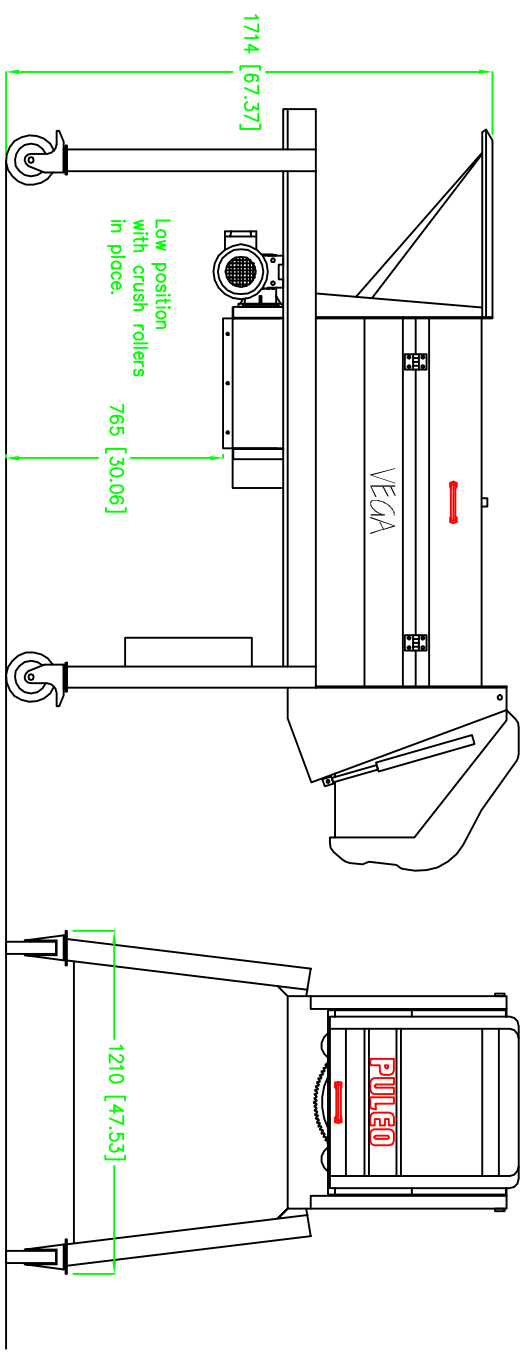


Vega 10/15 shown with adjustable legs – 2010

Note: This drawing is of a Vega 10. The Vega 15 is nearly identical except it's slightly (2") wider and longer. The other key dimensions remain + or - 1/2".



Destemmer can be positioned at 5" increments from lowest to highest positions.

SAE Dimensions shown in brackets

