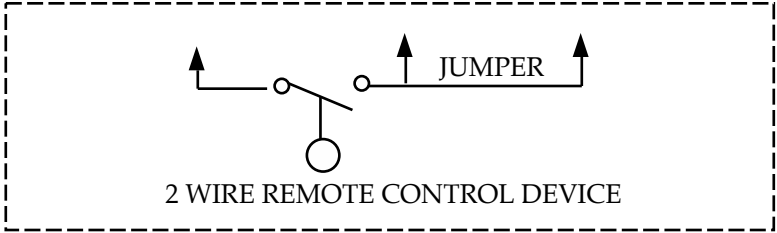
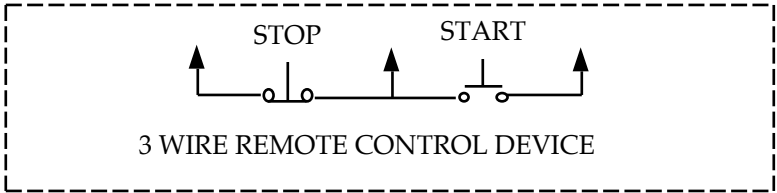
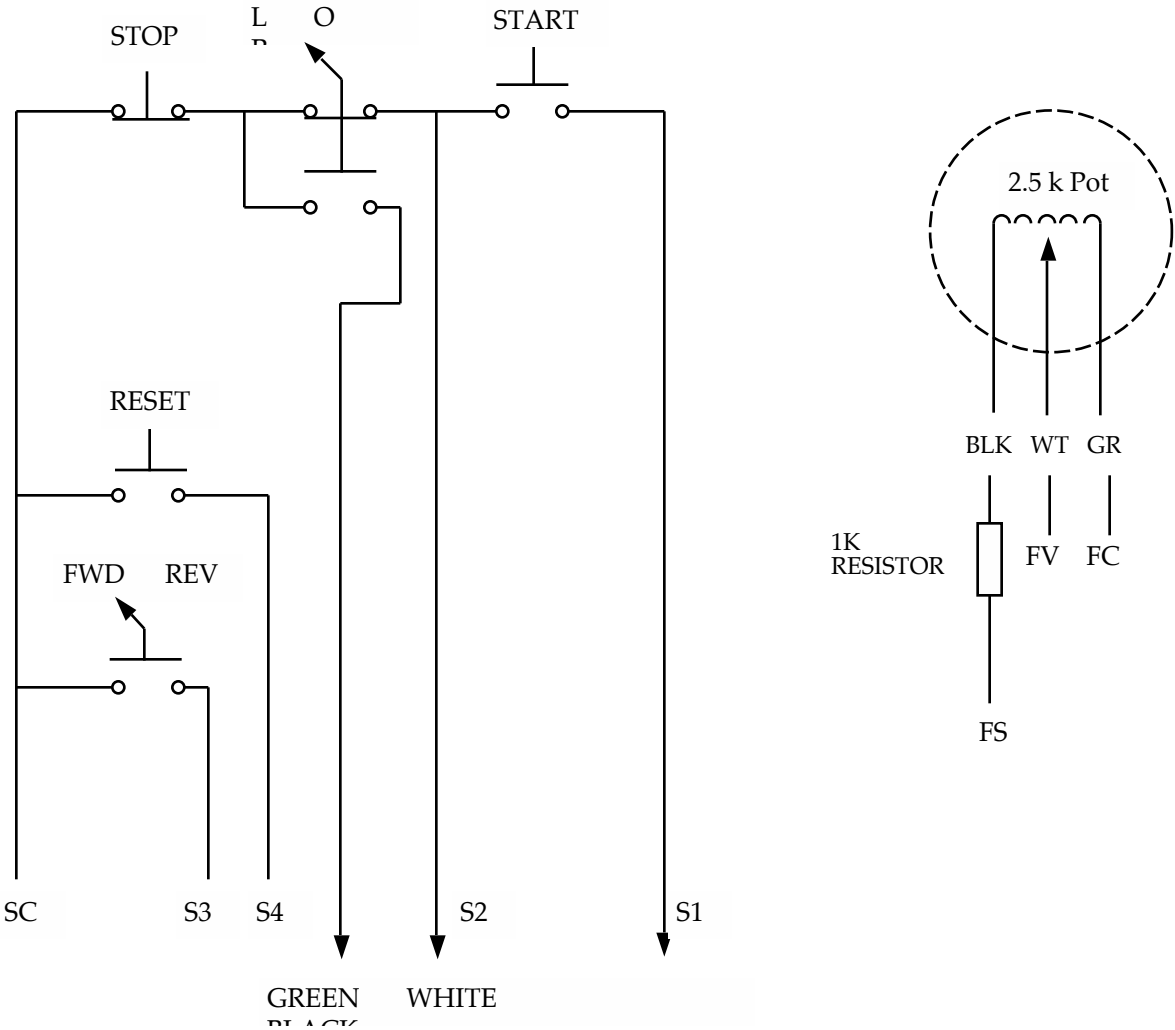


AC Frequency Control Schematic for a GP5 2 hp Screw Sump



Use the 2 hp Sump Program Page