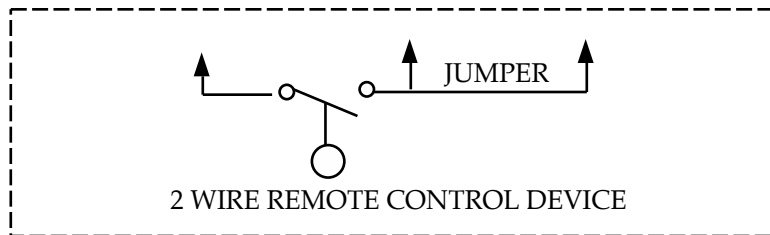
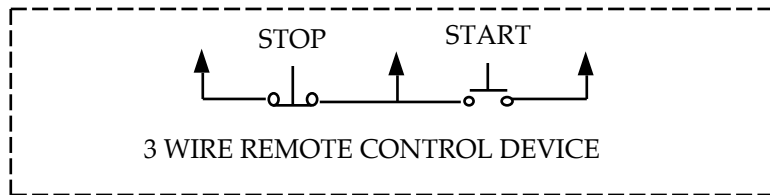
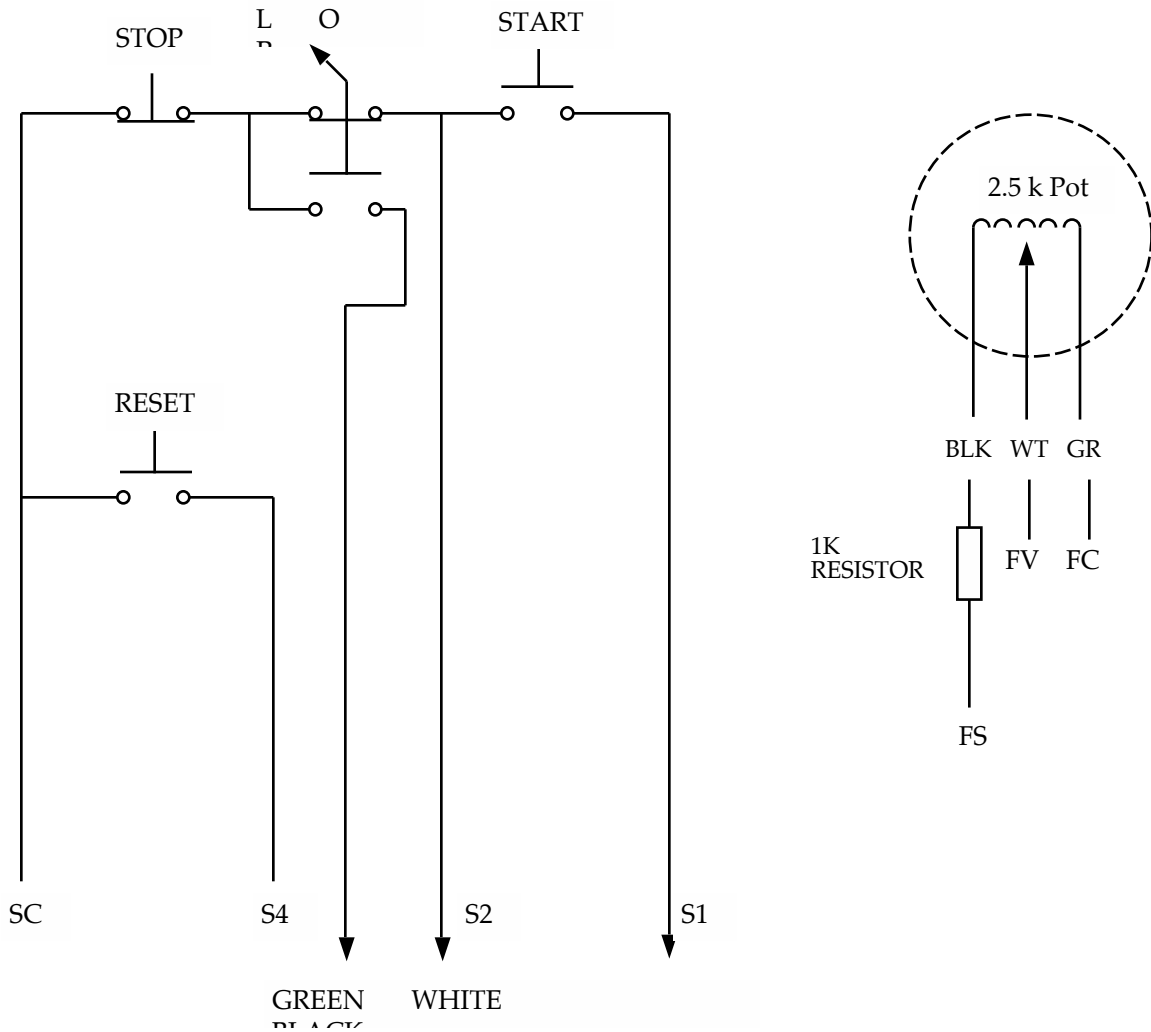


# GP5 Wiring Schematic for a Centrifugal Pump



Use the W2065 through W2085 Program Page