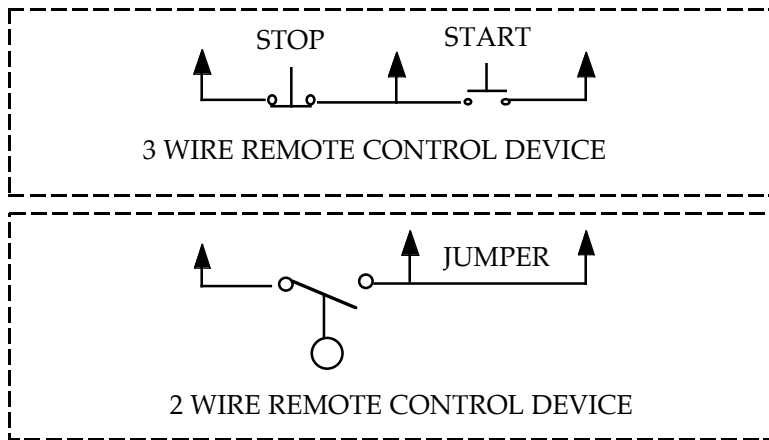
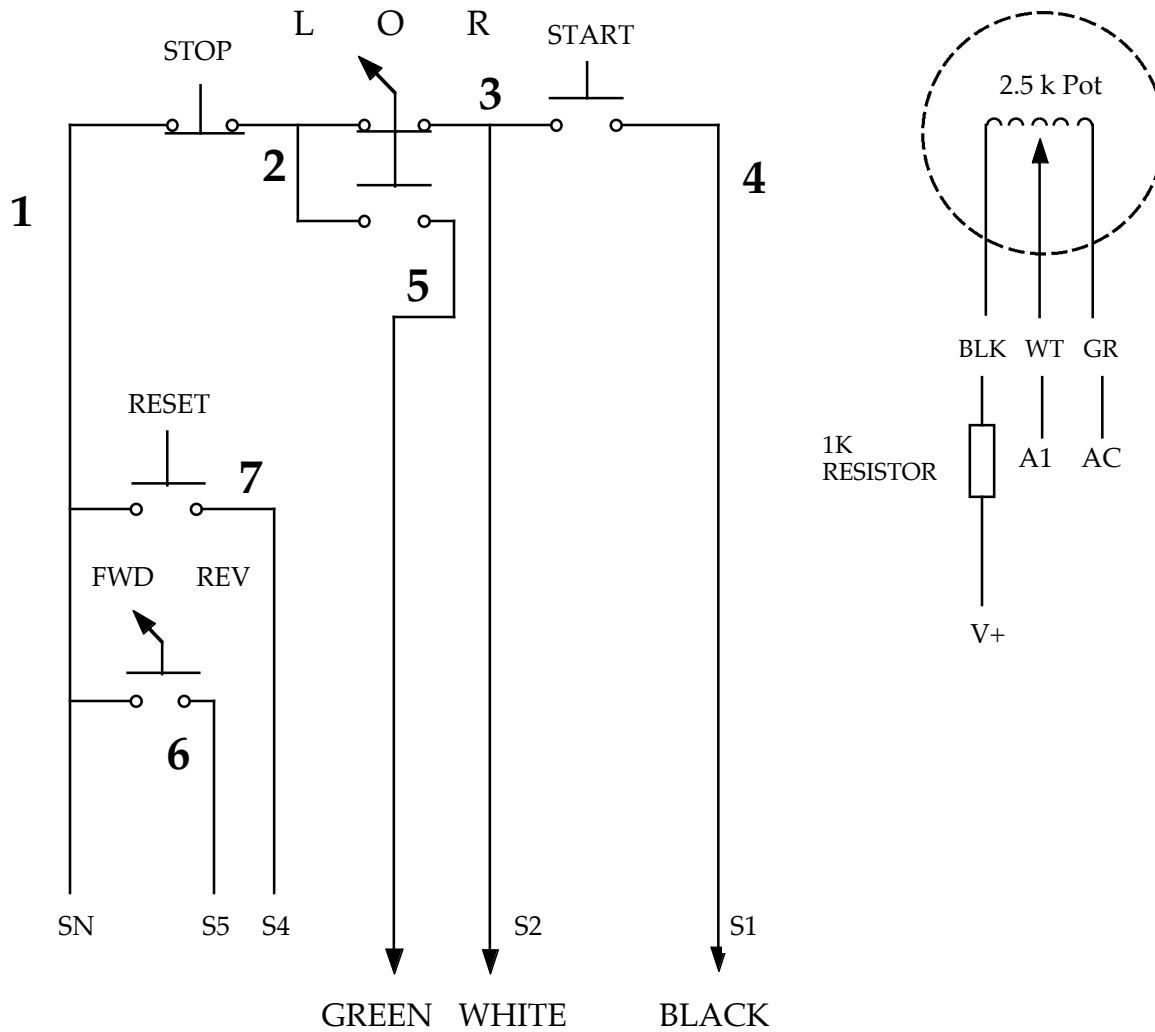


Wiring Schematic for a P7 Drive in a Carlsen Positive Displacement Pump



Use the P7, W30 - W60 - W130 - W220 - W320, Program Pages